



RECEIVER ACCESSORIES

Expansion Module - Add Up to 16 Additional Outputs to an R-4 Receiver



FEATURES

Expanded Functionality

Increase the functionality of our popular R-4 receiver by adding up to 16 additional outputs per expansion module.

Simple to Set Up and Use

Pre-wired cable harness with Deutsch DTM series connector. Factory programmed for your application. Wiring diagram included.

Compact, Rugged Enclosure

Compact size is ideal for mounting in tight spaces. Environmentally sealed for harsh off-highway applications. IP66 rated enclosure and connector.

ORDERING INFORMATION

PART #	DESCRIPTION
R-EXP-4	Expansion module with cable

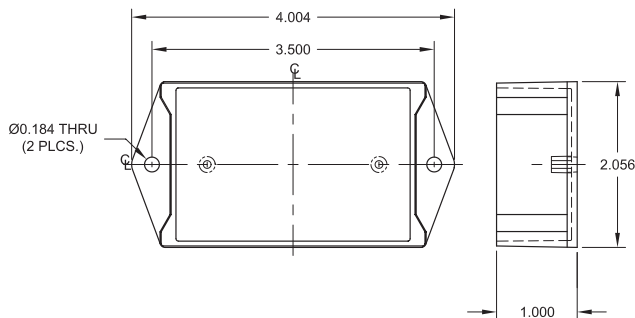
LAM 72x - Controls Linear Actuators from Radio Receiver Outputs

LAM720

Digital control

Accepts two 12-volt input signals (extend and retract) and provides relay switched outputs for 2-wire linear actuator (ex. Addco 720).

DIMENSIONS



LAM722

Feedback position control

For use with linear actuators equipped with feedback potentiometer and clutch (ex. Addco 722).

Analog input

Accepts 0.5 to 4.5 volt input signal, or 10k potentiometer, and provides proportional position control.

Adjustable

Adjustable extend, retract, and center positions.

LED indicators

LEDs provide status and fault indication.

ORDERING INFORMATION

PART #	DESCRIPTION
LAM720	Bang/bang controller
LAM722	Proportional position controller with feedback