



D826 Simple Sequencing I/O PLC module

Custom Logic Controller - 8 In, 6 Digital Out, 2 PWM Out



OPTIONAL DUST COVER INSTALLED



FEATURES

Ideal for cost-sensitive OEM applications

- Simple logic controller
- Factory programmed - OEM tuneable

Outputs

- 6x dedicated on/off outputs
- 2x On/Off, PWM, Ratiometric, 0-10vdc, 4-20mA, Sinking modules

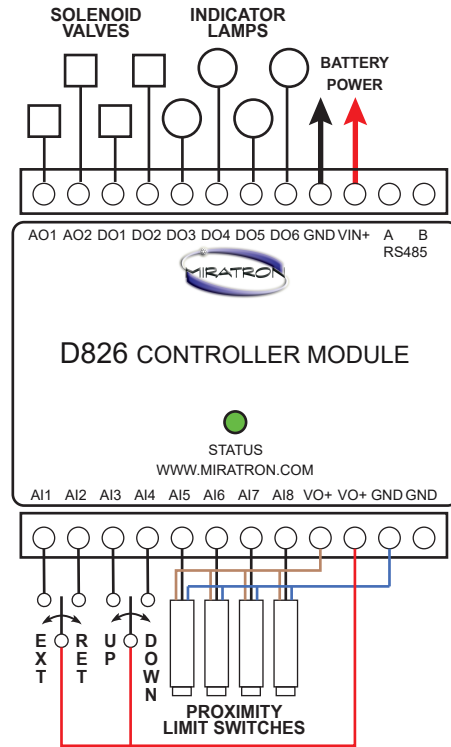
Inputs

- 8 inputs - Digital and analog up to 30vdc

Compact Packaging

- Standard 4U DIN rail tray - open frame
- Easy installation and wiring in control panels

APPLICATION EXAMPLE



SPECIFICATIONS

Power		10-30vdc, 100mA + Power to loads. 15-amps total maximum
Outputs	Dedicated On/Off	6x 5 amps max per channel, 15-amps max for all loads
	Factory Installed Modules	2x mixed. PWM, Ratiometric (Danfoss PVG), 0-10vdc, 4-20mA, or N-Channel grounding
Inputs		8 dedicated inputs, 0-30vdc
Communication		RS-485 - Compatible with Miratron RSAT field programming tool
Enclosure		DIN 4U tray, 35mm compatible Not environmentally rated - for panel integration or other enclosure - dust cover option