



PC11 Panel Mounted Proportional Control

Panel mounted proportional valve driver



The PC11 makes fast and easy work out of designing and assembling valve control panels.

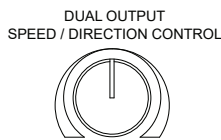
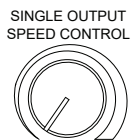
OPERATION

Controller provides proportional PWM or ratiometric output(s) up to 5-Amps from the position of a potentiometer or joystick.

The PC-11 can be field programmed to operate in single-coil or dual-coil mode.

In single-coil mode, the potentiometer or joystick controls a single proportional output.

In dual-coil mode, Output 1 is controlled from the center position of the knob to the fully CW position, and Output 2 is controlled from the center position of the knob to the fully CCW position.



The minimum/maximum output settings, and ramp up/down times are fully programmable in the field for single and dual-coil operation.

Field programming is accomplished using only 2 pushbuttons and the potentiometer or joystick. See operation manual for complete programming instructions.

FEATURES

Easy Installation

Installs directly on control panel with only 2 screws. Hardware included.

Easy Setup

Pushbutton “teach” feature simplifies setup of min/max output adjustment and ramp up/down time. No PC, PDA, or other tools needed.

Flexible

Operates one or two valve coils for speed and direction control. Version available for ratiometric valve actuators. Compatible with hall-effect (0.5 to 4.5v) joysticks or potentiometers.

Proportional Control

High-resolution solid-state output(s) for fine control of loads up to 5-Amps DC.

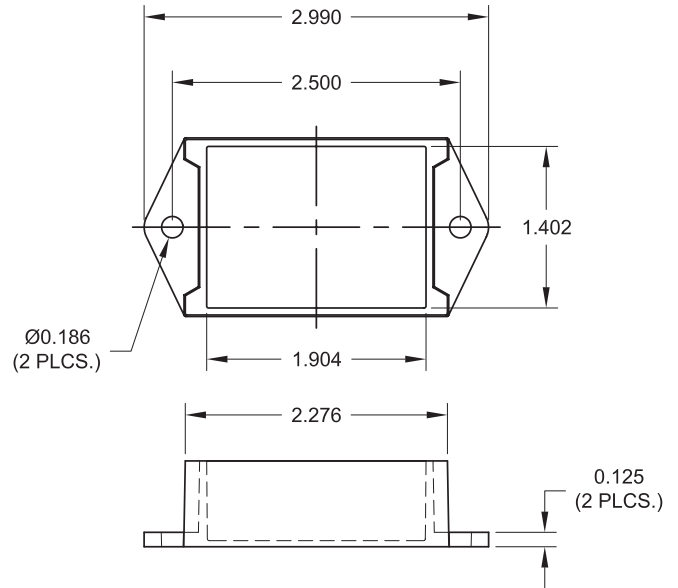
Compact Size

Only 1.6” wide - Fits easily in tight spaces. Ideal building block for control panels.

Rugged Construction

Robust potted module keeps electronics protected. IP65 environmentally rated pushbuttons and potentiometer.

DIMENSIONS



Knob and panel seal not shown.

ORDERING INFORMATION

PART #	DESCRIPTION
PC11	Proportional Controller, Single/Dual valve speed/direction control

SPECIFICATIONS

General Outputs

Power requirement	9-30vdc, 50mA nominal + power to loads and joystick
PWM Frequency	200Hz
Dither	Fixed
PWM current	0 to supply voltage, 5-amps max
+5V excitation	100mA MAX.
Adjustments	Min/Max: 0 to V+ Ramp up/down
Deadband	Built-in 10 degree deadband around neutral position

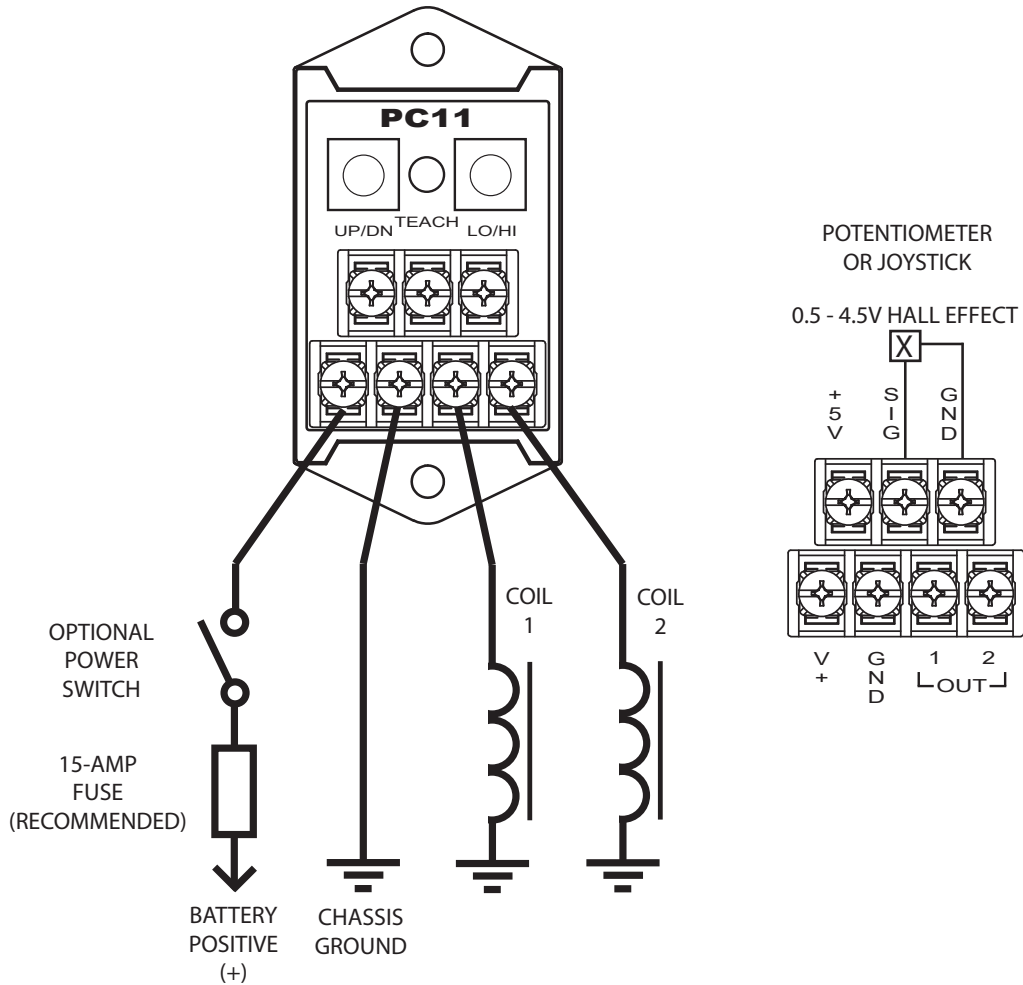
Input Dimensions

Voltage	0.5 to 4.5Vdc (5Vdc excitation provided for acc. power)
Overall	3.0" L x 1.6" W x 1" H (behind panel depth)
Mounting	2 x #8-32 X 1/2" machine screws

Environmental

Storage	-40°C to 85°C
Operating	-10°C to 60°C

WIRING



	OUT 1	OUT 2
SINGLE	Proportional output - Clockwise from neutral	Not used.
DUAL	Proportional output - Clockwise from neutral	Proportional output - Counterclockwise from neutral