



R11 - 12 Compact Radio Receiver

12-Input/Output receiver in a compact, waterproof package.



Full-color custom labeling and branding available
12-Channel version shown with internal antenna

FEATURES

Compatible

- Works with popular Miratron transmitters
- 2.4GHz Unlicensed International ISM band

Configurable

- Up to 12 high current, fail safe solid-state outputs
- Up to 2 inputs, 0-30vdc
- Up to 2 modular outputs (0-10v, 4-20mA, ratiometric)
- Built-in factory programmable logic
- Optional external antenna for extended range

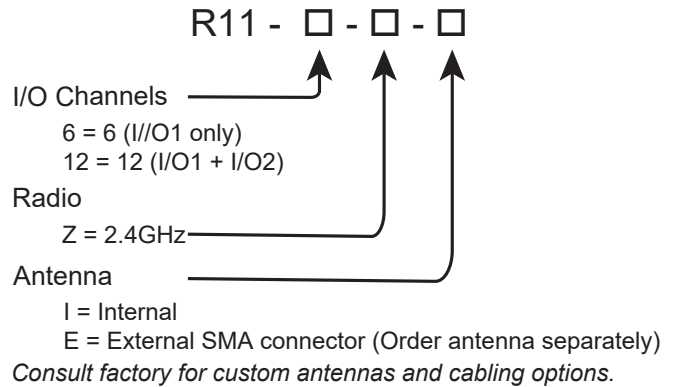
Simple

- Keyed I/O connectors
- Courtesy grounds provided for each output/input
- Status LED's for fast troubleshooting

Waterproof

- IP67 rated. Ideal for marine and outdoor use

ORDERING INFORMATION



SPECIFICATIONS

Power	Receiver Supply	12 to 30vdc, 500mA + Power to loads DTP06-2S connector 25A max.
	I/O Outputs	12 Channels total. (2 channels factory configurable as input or output) Up to 12 solid-state - Power supply voltage, 10A max per channel. 25A max. total Up to 2 Modular (factory) 0-10vdc, 4-20mA, or ratiometric (Danfoss PVG)
	Inputs	Up to 2 Inputs - 0-30vdc.
Indicators	Status LED's	Status, Radio
Connectors	Power I/O	2-pin Deutsch/Amphenol Compatible with DTP-2S plug. 12-pin Deutsch/Amphenol Compatible with DT06-12S or AT06-12S plug. Custom cabling available.
Radio	"Z" international version	2.4GHz, Unlicensed ISM band, FHSS
Enclosure	Material Dimensions	Polycarbonate, IP65/IP66, NEMA 4X L 4.53" x W 2.56" x H 1.58"